

Slip Indicator System



Overview



Working principle

The Geosense® Slip Indicator comprises a flexible pipe with base plate which is inserted into the base of a borehole and surrounded with sand. When a lateral differential movement of the soil occurs, the flexible tube will become deformed in the zone of movement. Indicator probes, attached to a length of support rope, are used to determine the zone of movement.

Installation

During installation it is imperative that the The Geosense® flexible Slip Indicator tubing is installed without any bends and as near to vertical as possible. The base probe is placed to the bottom of the flexible tubing and secured at the top prior to installation into the borehole.

To ensure the above, the The Geosense® Slip Indicator flexible tube, complete with base plate, is placed within temporary rigid sleeves during placement into the borehole. Sand is hydraulically placed around the temporary sleeves through the sand placing tube via a special sand-placing tool. As the sand level rises the temporary sleeving tubes are progressively withdrawn. The upper level of the sand should always be maintained approximately 1.5m above the base of the temporary sleeves.

Once the installation is complete the installation should be protected with a vandal-proof cover.

Monitoring of the installation is then carried out by raising the lower probe and lowering another from the surface. Any major deflection in the flexible tube will prevent the probes from moving easily thus identifying the areas of movement.

APPLICATIONS

For the economic method of determining, within a soil mass, the location of a zone where movement is occurring

FEATURES

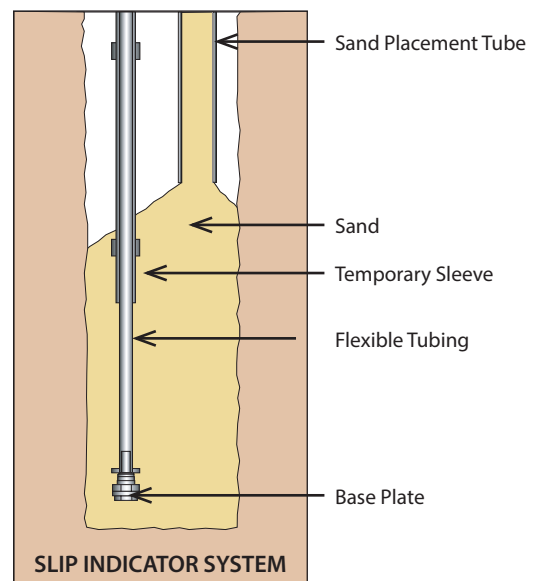
Can be installed in 70mm boreholes or larger

Cost effective way to measure movement in soils

Simple to install

No readout required

Probes can be made to suit individual requirements



Geosense Ltd, Nova House, Rougham
Industrial Estate, Rougham, Bury St Edmunds,
Suffolk IP30 9ND, England
www.geosense.co.uk e sales@geosense.co.uk
t +44(0)1359 270457

Specifications are subject to change without notice and should not be construed as a commitment by Geosense. Geosense assumes no responsibility for any errors that may appear in this document. In no event shall Geosense be liable for incidental or consequential damages arising from the use of this document or the systems described in this document. All Content published or distributed by Geosense is made available for the purposes of general information. You are not permitted to publish our content or make any commercial use of our content without our express written consent. This material or any portion of this material may not be reproduced, duplicated, copied, sold, resold, edited, or modified without our express written consent.